



Laser Diagnostic Instruments



**SUITABLE FOR ATMOSPHERES CONTAINING:**

acetaldehyde, ethane, ethyl chloride, ammonia, benzines, gasoline, n-butyl alcohol, diesel, jet engine fuels, acetic acid anhydride, n-hexane, methane, methanol, naphthalene, phenol, propane, toluene



# ROWATEX EXD OIL DETECTOR FOR HAZARDOUS AREAS

The ROW ATEX EXD oil detector is designed to be installed within hazardous areas where ignitable concentrations of flammable gases, vapors or mists often exist. These industrial areas are classified as Zone 1 based on established international standards ATEX/IECEX.

› **FLAMEPROOF (Ex d) ENCLOSURE**

The ROW ATEX EXD oil detector is encased in a flameproof (explosion-proof) enclosure made from 316 stainless steel, making it ideal for the toughest environments. The whole system is certified ATEX/IECEX by DNV Presafe for Zone 1 installations.

› **TOP CERTIFIED Ex d DEVICE**



LDI, including our entire manufacturing process, our suppliers, and instrument model itself are fully certified by DNV Presafe for ATEX equipment manufacturing.

› **SPECIFICATIONS: BEST IN CLASS**



Non-contact instrument with robust IP68 protection, low-power (< 2 W) UV fluorescence technology, up to 8 m range - these are the best specs on the market.

› **INDUSTRY LEADING SENSITIVITY - 1µm**



Advanced software algorithms are calibrated to detect oil films down to a single micron layer and minimize false alarms.

› **COMPATIBLE WITH EXISTING DEVICES**



The ROW ATEX EXD can be installed within a network of LDI ROWs but also connect seamlessly with 3rd party telemetry options using RS485 (modbus), 4-20 mA PLC/SCADA, or simple I/O alarm relay.



Italy,  
Oil Terminal



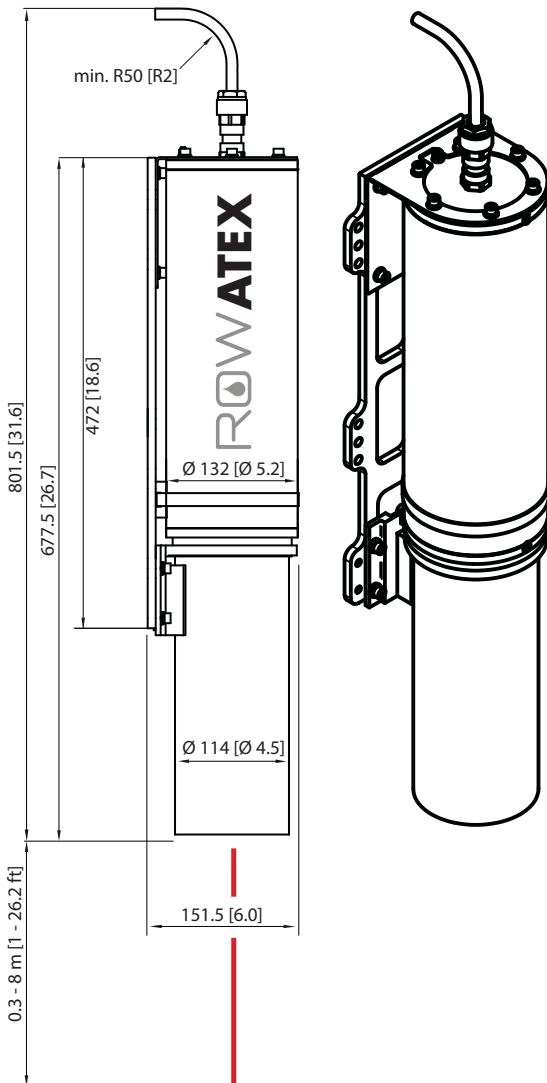
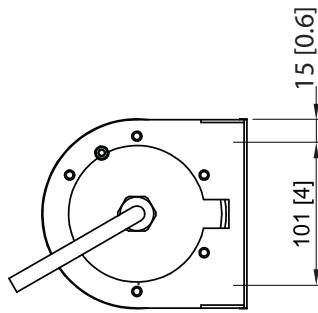
Norway,  
Fuel Depot

Belgium,  
Oil Refinery

Optical non-contact and autonomous sensor for real-time detection of oil contamination - Zone 1 installations

## TECHNICAL SPECIFICATIONS

<b>MODELS</b>	O-2301E ( <b>ATEX EXD</b> ) O-4501E ( <b>Light Fraction</b> )	
<b>SENSITIVITY</b>	> 1 µm (micron) oil film	
<b>OIL DETECTION</b>	O-2301E ( <b>ATEX EXD</b> ) – Medium (diesel, lubricants etc..) & heavy (crude, bunker fuels etc..) oils O-4501E ( <b>Light Fraction</b> ) – Light (kerosene, jet fuel etc..), including medium, & heavy oils	
<b>RANGE</b>	up to 8 m [26 ft] from surface; <b>Light Fraction</b> only 5 m [16 ft]	
<b>OPERATION TEMPERATURE</b>	-30°C to +60°C [-22°F to 140°F]	
<b>ENCLOSURE</b>	IP68, hermetically sealed, weather proof Stainless steel 316, Flameproof Enclosure, ATEX/IECEX Zone 1 II 2 G Ex d IIC T6 Gb, Class 1, Division 1, Groups CD	
<b>DIMENSIONS (L x W x H)</b>	677.5 x 132 x 132 mm [26.7 x 5.2 x 5.2 in] device dimensions Comes with external metal bracket for mounting	
<b>WEIGHT</b>	12.2 kg [26.9 lbs] with sunshield extension	
<b>POWER OPTIONS (input)</b>	O-2301E ( <b>ATEX EXD</b> ): 12 – 24 VDC (10V - 30V) O-4501E ( <b>Light Fraction</b> ): 12 VDC <u>only</u> Optional: 110/220 VAC (60/50 Hz) AC/DC adapter, 24 to 12 VDC adapter, solar/battery options	
<b>POWER USAGE</b>	< 2 Watt (DC)	
<b>LIGHT SOURCE</b>	Pulsed UV LED	
<b>LED LIFETIME</b>	5 years typical, thereafter, LED replacement	
<b>OUTPUTS</b>	Relay contacts, RS-485, 4-20 mA (as standard)	
<b>TELEMETRY OPTIONS</b>	RS-232 Ethernet/LAN Audio alarm Wireless Radio Link Wi-Fi GSM	Custom Solutions: Optional adapters available, contact Sales Engineer for additional information
<b>USER INTERFACE</b>	ROW Configurator software for setup & adjustment ROW Manager software for network visualization	
<b>CERTIFICATIONS</b>	EN 61000-6-2, 61000-6-3, 61326-1, 61000-4-2, 61000-4-5, 61000-4-6, 61000-4-8, 61010-1 EPA/530/UST-90/009 IP68: EN 60529 <b>ROW ATEX EXD:</b> EN/IEC: 60079-0, 60079-1 ATEX (Zone 1) II 2 G [DNV Presafe 20 ATEX 61463X] IECEX Ex d IIC T6 Gb [IECEX PRE 20.0044X]	
<b>WARRANTY</b>	2-years factory warranty as standard, supported worldwide	



Dimensions unless otherwise stated: mm [inches]

